

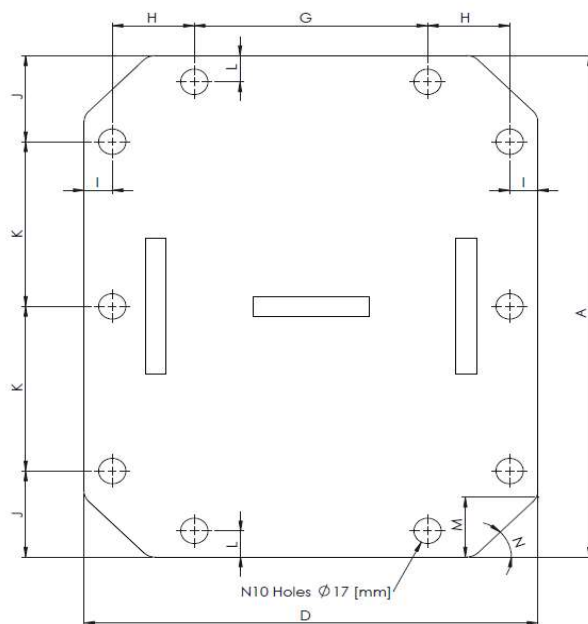
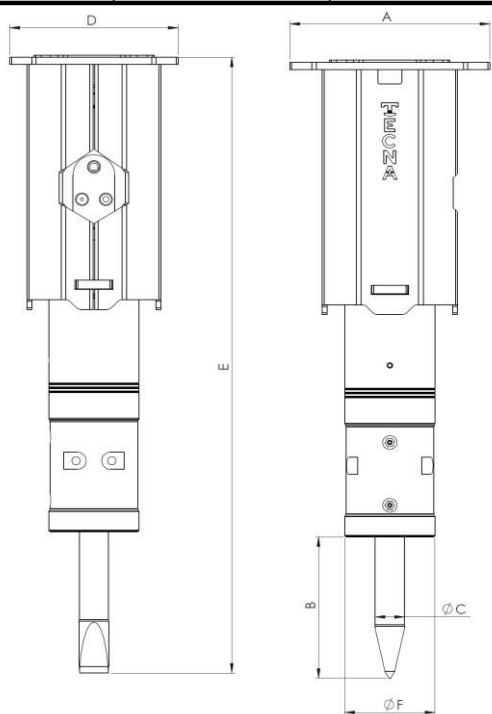
TECHNICAL SPECIFICATIONS

TBK175



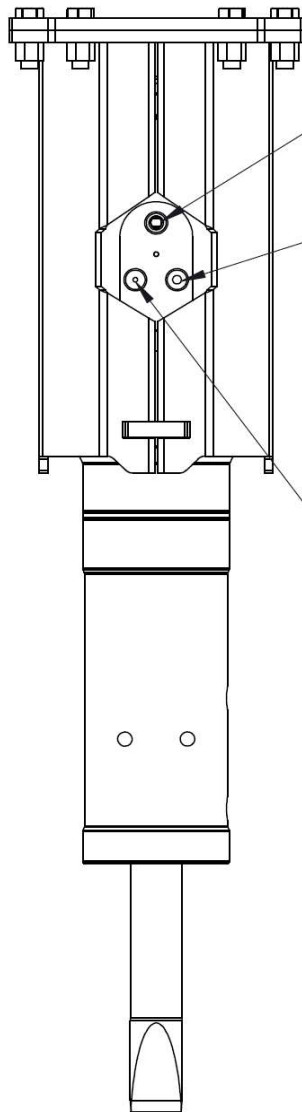
| | | |
|--------------|------|------|
| Breaker code | Rev. | Year |
| TBK01750 | 0 | 2025 |

Versione standard
Standard version



| | mm | in | | mm | in |
|-----|------|------|---|------|-----|
| A | 335 | 13,2 | H | 51 | 2,0 |
| B | 246 | 9,7 | I | 17,5 | 0,7 |
| φ C | 49 | 1,9 | J | 57,5 | 2,3 |
| D | 282 | 11,1 | K | 110 | 4,3 |
| E | 1070 | 42,1 | L | 17,5 | 0,7 |
| F | 141 | 5,6 | M | 40 | 1,6 |
| G | 145 | 5,7 | N | 45° | 45° |

| I | GB | D | METRIC UNIT / IMPERIAL UNIT | | | |
|---------------------------------------|--|--------------------------------------|-----------------------------|-------|-------------|--------|
| PESO ESCAVATORE | SUITABLE EXCAVATOR | GEWICHTSKLASSE | 1,8 ÷ 3 | Ton | 3968 ÷ 6614 | lbs |
| PESO MEDIO OPERATIVO | OPERATING WEIGHT | EINSATZGEWICHT DES HAMMERS | 173 | Kg | 381,4 | lbs |
| DIAMETRO UTENSILE | TOOL DIAMETER | MEIBEL-DURCHMESSER (MM) | 49 | mm | 1,93 | in |
| PORTATA | OIL SUPPLY | ÖLMENGE MIN/MAX (L/MIN) | 30 ÷ 45 | l/min | 8 ÷ 12 | GPM |
| PRESSIONE DI LAVORO | BREAKER WORKING PRESSURE | BETRIEBSDRUCK DES HAMMERS | 100 ÷ 150 | bar | 1450 ÷ 2176 | PSI |
| PRESSIONE REGOLATA ALL'ESCAVATORE | RELIEF PRESSURE SETTING | EINGESTELLTER ARBEITSDRUCK AM BAGGER | 180 | bar | 2611 | PSI |
| CONTROPRESSIONE MAX | MAX BACK PRESSURE | MAX. ZULÄSSIGER RÜCKLAUFSTAUDRUCK | 25 | bar | 363 | PSI |
| POTENZA INGRESSO (MAX) | INPUT POWER (MAX) | MAX. HYDRAULISCHE EINGANGSLEISTUNG | 9 | Kw | 12,6 | HP |
| CLASSE DI ENERGIA D'URTO | IMPACT ENERGY CLASS | EINZELSCHLAGENERGIE | 540 | J | 399 | Ft/lbs |
| NUMERO DI COLPI AL MINUTO | IMPACT RATE | SCHLAGFREQUENZ PRO MINUTE | 650 ÷ 1000 | BPM | 650 ÷ 1000 | BPM |
| TEMPERATURA MAX OLIO IDRAULICO | MAX TEMPERATURE HYDRAULIC OIL | MAX. ÖLTEMPERATUR | 80 | °C | 176 | °F |
| TUBAZIONE IMPIANTO MANDATA (Ø min.) | RECOMMENDED INLET LINE SIZE (Ø min.) | EINLASSSCHLAUCH (Ø MIN.) | 12 | mm | 0,47 | in |
| TUBAZIONE IMPIANTO RITORNO (Ø min.) | RECOMMENDED RETURN LINE SIZE (Ø min.) | AUSLASSSCHLAUCH (Ø MIN.) | 14 | mm | 0,55 | in |
| LUNGHEZZA CONSIGLIATA TUBI FLESSIBILI | SUGGESTED MIN FLEX HOSES LENGTH | EMPFOHLENE SCHLAUCHLÄNGE | 1400 | mm | 55,1 | in |
| ATTACCO INGRESSO DEMOLITORE | HOSE CONNECTION AT THE BREAKER'S RETURN LINE | SCHLAUCHKUPPLUNG - RÜCKLAUF | 1/2" G | | 1/2" G | |
| ATTACCO USCITA DEMOLITORE | HOSE CONNECTION AT THE BREAKER'S INLET LINE | SCHLAUCHKUPPLUNG - VORLAUF | 1/2" G | | 1/2" G | |



OIL INLET
INGRESSO OLIO
OEL EINGANGVERBINDUNG

STANDARD OIL OUTLET
 for all pressurized circuit
 (backflow pressure
 at excavator > 15 [bar])

USCITA OLIO STANDARD
 per circuiti pressurizzati
 (pressione di ritorno all'escavatore
 <15 [bar])

STANDARD OEL AUSLASSVERBINDUNG
 ist für die neueste Bagger Generation:
 Staudruck >15 [bar]

ALTERNATIVE OIL OUTLET
 to be used with not pressurized circuit
 (backflow pressure
 at excavator up to 15 [bar])

USCITA OLIO ALTERNATIVA
 da utilizzare con circuiti non pressurizzati
 (pressione di ritorno all'escavatore
 fino a 15 [bar])

ALTERNATIVE AUSLASSVERBINDUNG
 ist für die Baggersysteme ohne Hilfsstromkreis
 mit Staudruck \leq 15 [bar]

The hammer is shipped with the standard oil outlet ready for the plug-in. Use the standard outlet if the excavator backflow pressure or circuit type is unknown.

Il martello è consegnato con l'uscita standard pronta per essere connessa. Utilizzare questa uscita olio se non si conosce la pressione del circuito di ritorno olio o il tipo di circuito dell'escavatore.

Der Hammer wird immer mit der Standard Auslassverbindung fertig für den Einsatz ausgeliefert. Sollten Sie den Rückstaudruck oder das Hydrauliksystem des Baggers nicht kennen, benutzen Sie diese Schlauchkupplung.

Breaker code

Rev.

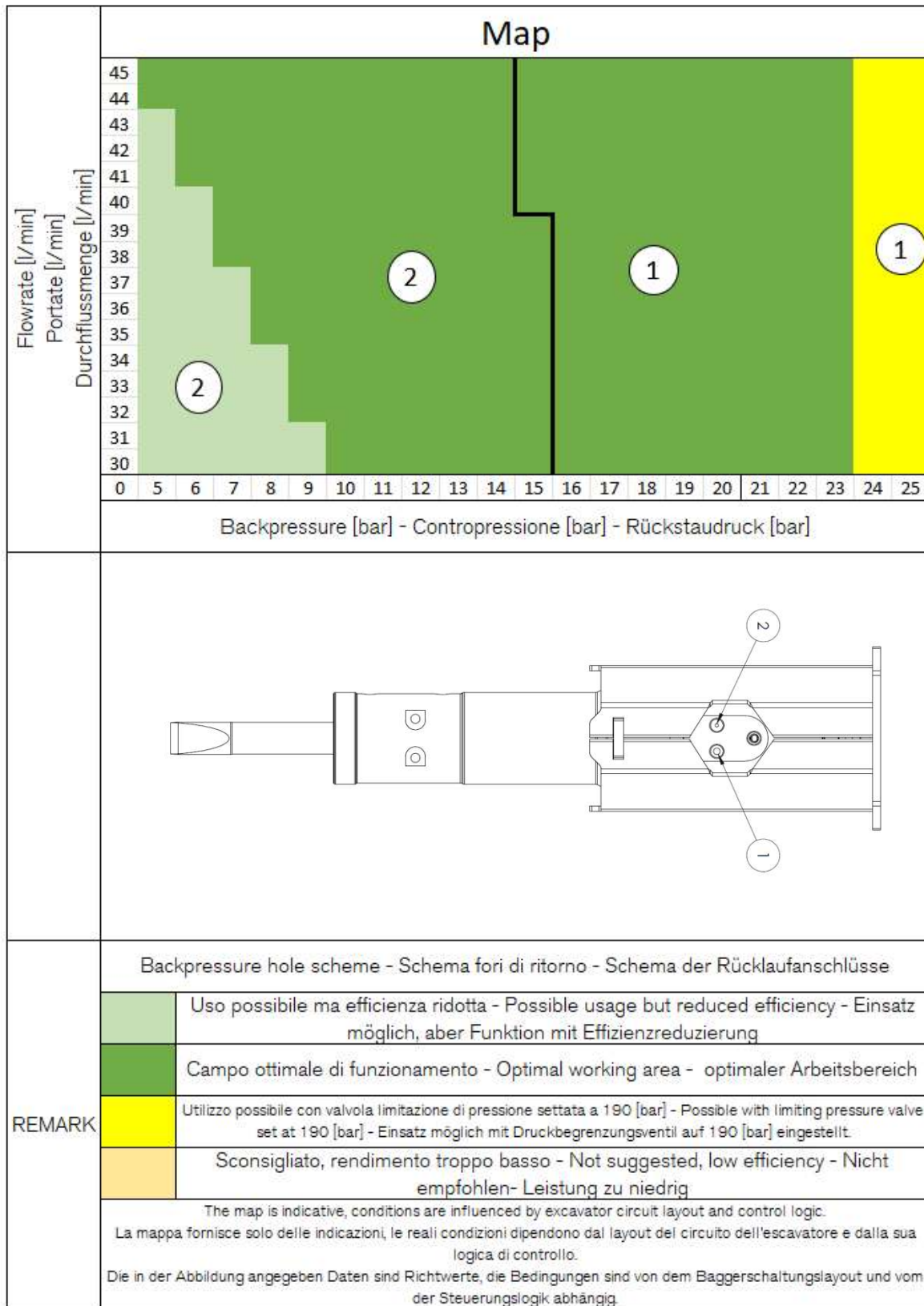
Year

Versione standard
Standard version

TBK01750

0

2025



PARTS LIST

TBK175

Breaker code

Rev.

Year

Versione standard
Standard version

TBK01750

0

2025

| POS. | I | GB | D | CODE | N° of PARTS |
|------|--------------------------|----------------------|-----------------------------------|-------------|-------------|
| 001 | TESTATA | HEAD | KOPFTEIL | TBK01750010 | 1 |
| 002 | SCATOLA DISTRIBUZIONE | DISTRIBUTOR BOX | SCHIEBERGEHÄUSE | TBK01750020 | 1 |
| 003 | O RING | O RING | O-RING | 06350 * | 2 |
| 004 | DISTRIBUTORE | DISTRIBUTOR | STEUERSCHIEBER | TBK01750040 | 1 |
| 005 | O RING | O RING | O RING | 06320 * | 1 |
| 007 | VITE ANCORAGGIO | FIXING SCREW | VERSCHLUSSSCHRAUBE | TBK01800070 | 4 |
| 101 | CILINDRO | CYLINDER | ZYLINDER | TBK01801010 | 1 |
| 102 | O RING | O RING | O RING | 06320 * | 4 |
| 104 | GUARNIZIONE A LABBRO | LIP SEAL | LIPPENDICHTUNG | 04190 * | 1 |
| 105 | PARAPOLVERE | DUST SEAL | STAUBRING | 19180 * | 1 |
| 109 | PISTONE | PISTON | SCHLAGKOLBEN | TBK01801090 | 1 |
| 111 | SPINA CORPO | HOUSING PIN | GEHAUSE STIFT | 01030 | 3 |
| 201 | CORPO CILINDRO | CYLINDER HOUSING | ZYLINDER GEHAUSE | TBK01752010 | 1 |
| 203 | EXPANDER | EXPANDER | EXPANDER | 15051 | 1 |
| 206 | INGRASSATORE | GREASE NIPPLE | SCHMIERNIPPEL | 12000 | 2 |
| 208 | FERMAUTENSILE | RETAIN AXLE | SPERRACHSE | T02002080 | 2 |
| 210 | Q-RING | Q-RING | Q-RING | 07002 * | 2 |
| 253 | BOCCOLA | CHUCK BUSH | MEISSELBUCHSE | TBK01802530 | 1 |
| 254 | SEEGER | SEEGER | SEEGER | 02050 | 1 |
| 255 | O RING | O RING | O RING | 05150 * | 2 |
| 302 | CAPSULA SUPERIORE | UPPER SHELL | OBERE FLANSCH | TBK01803020 | 1 |
| 303 | MEMBRANA | DIAPHRAGM | MEMBRANE | T02003030** | 1 |
| 304 | VITE CARICA AZOTO | INFLATING SCREW | FÜLLSCHRAUBE | T03003040** | 1 |
| 305 | RONDELLA | WASHER | USIT RING | 14020 ** | 1 |
| 306 | VITE | SCREW | SCHRAUBE | 07120 | 12 |
| 307 | RONDELLA AUTOBLOCCANTE | SELF LOKING WASHER | UNTERLEGSCHLEIBE | 11000 | 12 |
| 500 | CARCASSA | CASING | GEHÄUSE | TBK01805001 | 1 |
| 501 | AMMORTIZZATORE SUPERIORE | SHOCK ABSORBER UPPER | OBERER STOßDÄMPFER | TBK01805010 | 1 |
| 503 | AMMORTIZZATORE INFERIORE | SHOCK ABSORBER LOWER | UNTERER STOßDÄMPFER | TBK01805030 | 1 |
| 511 | SELLA | CRADLE | SCHNELLWECHSLERAUFNAHME | TBK01805110 | 1 |
| 512 | VITE | SCREW | SCHRAUBE | 10270 | 10 |
| 513 | DADO AUTOBLOCCANTE | SELF LOKING NUT | SICHERUNGSMUTTER | 13130 | 10 |
| 600 | UTENSILE A SCALPELLO | CHISEL | FLACHMEißEL - SENKRECHTER SCHNITT | TBK01806000 | 1 |

PARTS LIST

TBK175

Breaker code

Rev.

Year

Versione standard
Standard version

TBK01750

0

2025

| POS. | I | GB | D | CODE | N° of PARTS |
|------|-----------------------|------------------|---------------------------------------|-------------|-------------|
| 601 | UTENSILE A CONO | MOIL POINT | SPITZMEIBEL (KONISCH ZULAUFEND) | TBK01806010 | 1 |
| 602 | UTENSILE PIATTO | BLUNT TOOL | STUMPFMEIBEL | TBK01806020 | 1 |
| 603 | UTENSILE TAGLIASFALTO | ASPHALT CUTTER | BREIT-FLACHMEIBEL (ASPHALTSCHNEIDER) | TBK01806030 | 1 |
| 604 | UTENSILE TAGLIALEGNA | WOOD CUTTER | SPRENGMEISSEL | TBK01806040 | 1 |
| 605 | UTENSILE VANGHETTA | SPADE TOOL | SPITZSPATMEISSEL | TBK01806050 | 1 |
| 607 | UTENSILE BATTIPALO | PILE DRIVER TOOL | RAMMGLOCKE | TBK01806070 | 1 |
| 610 | UTENSILE A DISEGNO | TOOL ON REQUEST | MEISSELAUSFÜHRUNGEN NACH KUNDENWUNSCH | TBK01806100 | 1 |

| | | | | | |
|----|------------------|------------------------|------------------------|-----------|---|
| * | KIT GUARNIZIONI | SEAL KIT | DICHTUNGSSÄTZE | KTBK01801 | 1 |
| ** | KIT MEMBRANA | DIAPHRAGM KIT | MEMBRANE KIT | KM02000 | 1 |
| | KIT BATTIPALO | PILE DRIVER KIT | PFOSTENRAMME | KTBK01950 | 1 |
| | KIT CARICA AZOTO | NITROGEN INFLATING KIT | STICKSTOFFSPEICHER KIT | KCN20010 | 1 |

PARTS LIST

TBK175

| Breaker code | | Rev. | Year | Versione standard Standard version | | | |
|--------------|---------------------------|------------------------------|--------------------------------------|---------------------------------------|-----|--------|-----|
| TBK01750 | | 0 | 2025 | | | | |
| POS. | I | GB | D | TOOL FOR SCREW ASSEMBLY | Nm | in*lbF | |
| 007 | VITE DI CHIUSURA | CLOSING SCREW | VERSCHLUSSSCHRAUBEN | 24 | 395 | 3496 | |
| 304 | VITE CARICA AZOTO | INFLATING SCREW | FÜLLSCHRAUBE | B 8 | 80 | 708 | |
| 306 | VITE CHIUSURA CAPSULA | SELL FIXING SCREW | AKKUSCHRAUBEN | B 8 | 80 | 708 | |
| 401 | NIPPLO INGRESSO/USCITA | 1/2" PLUG | 1/2 ZOLL DOPPELNIPPEL | 27 | 200 | 1770 | |
| 512 | VITE ATTACCO SELLA | CRADLE SCREW | BEFESTIGUNGSSCHRAUBE DER AUFNAHME | 19 | 100 | 885 | |
| | PRESSIONE CARICA AZOTO | NITROGEN CHARGIN PRESSION | FÜLLDRUCK DES STICKSTOFFES | 40 | bar | 580 | PSI |

Exploded View Hammer

TBK175



Breaker code

Rev.

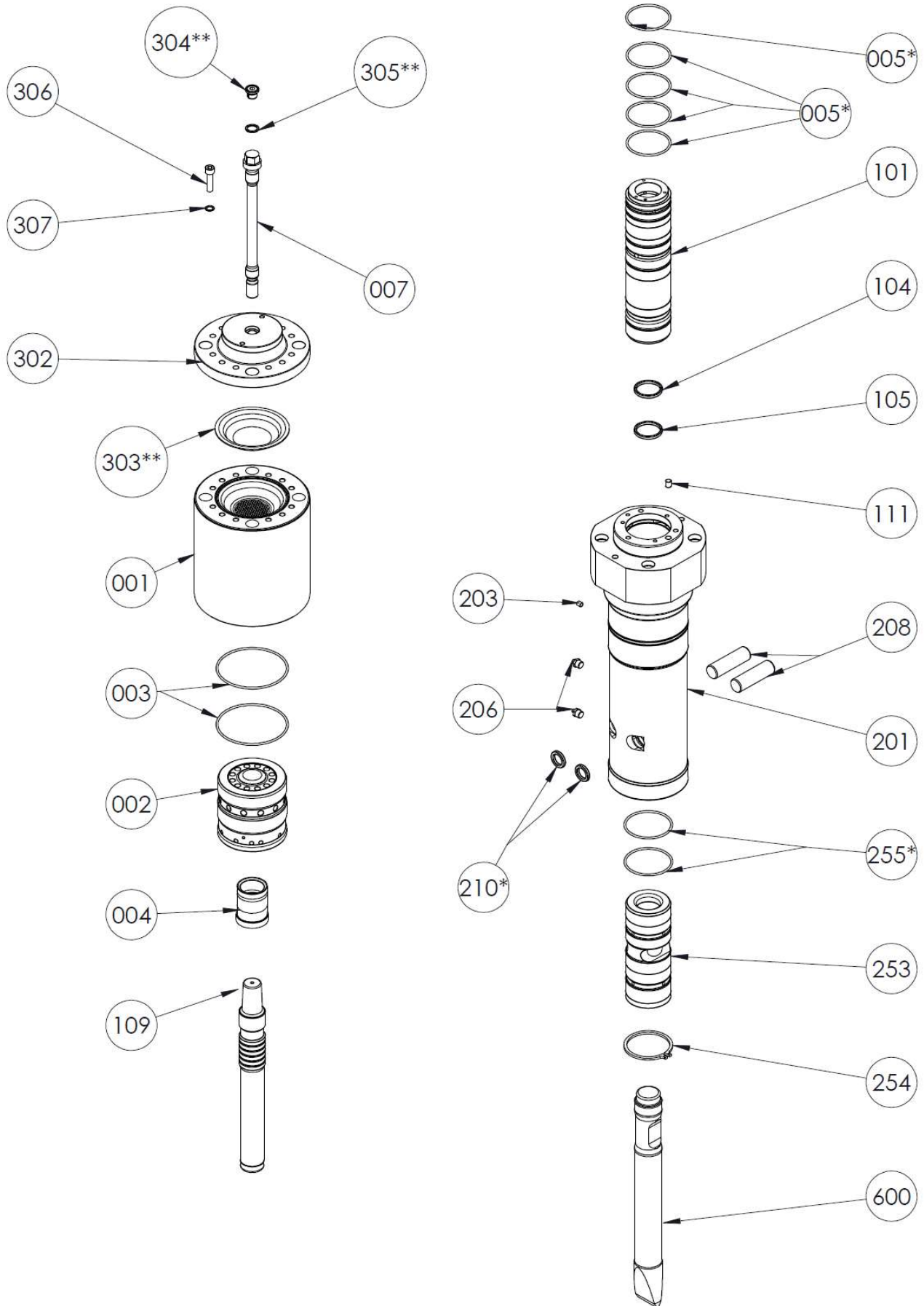
Year

Versione standard
Standard version

TB01750

0

2025



Breaker code

Rev.

Year

Versione standard
Standard version

TB01750

0

2025

